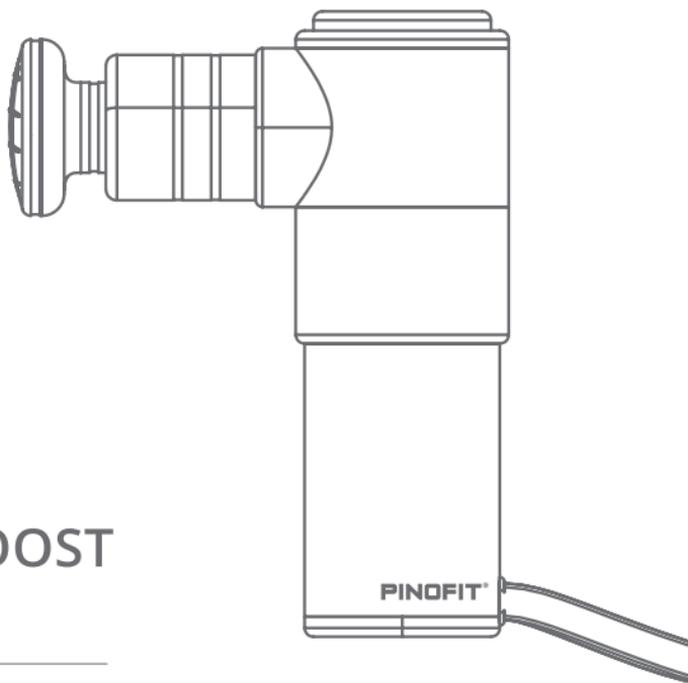

EXPERTS IN PHYSIOTHERAPY

Massage, Training & Spa



BEDIENUNGSANLEITUNG

PINOFIT® PHYSIO BOOST MINI

UK INSTRUCTIONS FOR USE

NL HANDLEIDING

FR MODE D'EMPLOI

IT ISTRUZIONI PER L'USO

ES INSTRUCCIONES DE SERVICIO

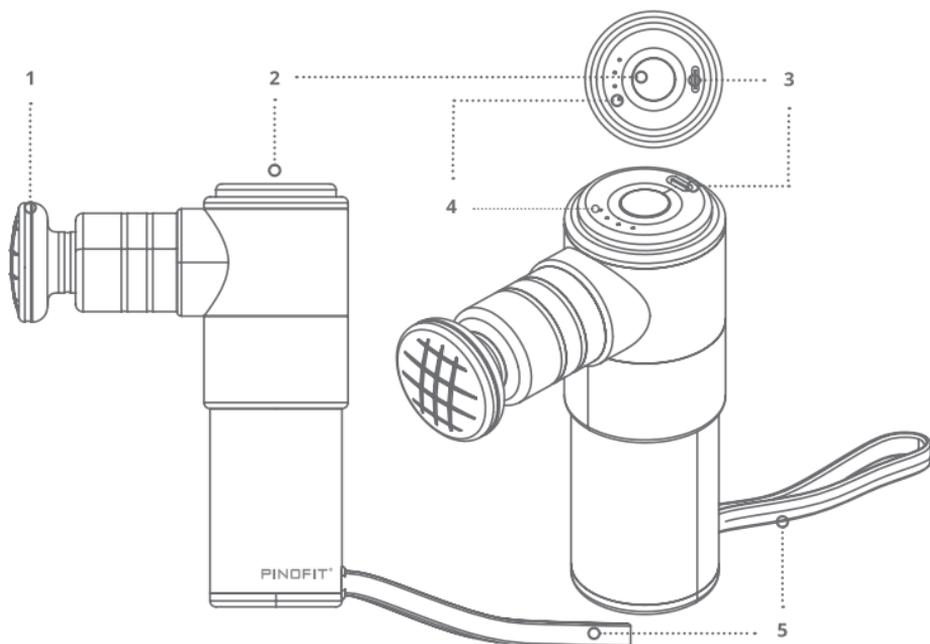
PT MANUAL DE UTILIZAÇÃO

AR مداخلت سال تامي لعت

PINOFIT® PHYSIO BOOST MINI

Overview.....	13
Massage attachments.....	14
Technical specifications & features.....	14
The modern massage device	15
Important safety information	15
Instructions for use.....	17
1. Charging the device	17
2. Attaching the massage attachments.....	18
3. Adjusting the speed	19
Notes	19
Cleaning and caring for the device.....	19
Maintenance	20
Disposal	20
Disclaimer.....	20

PINOFIT® PHYSIO BOOST MINI



1. Removable massage attachment
2. Multifunctional button: ON/OFF / Speed
3. Charging interface
4. Battery status indicator / Speed level
5. Non-slip wristband

CE CE marking

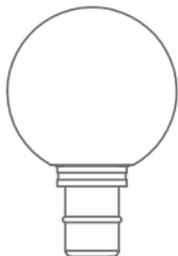


Only use in dry indoor areas.



Hazardous goods must be disposed of as special waste. Electronic parts may not be disposed of as household waste.

MASSAGE ATTACHMENTS



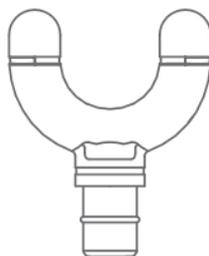
Small, round attachment

Full-body massage



Flat attachment
Full-body massage

Stimulating
massage



Forked attachment
with removable
silicone cushions

Muscle massage



**Bullet attachment with re-
movable silicone
cushion**

Muscle and trigger-
pointmassage

TECHNICAL SPECIFICATIONS & FEATURES

PHYSIO BOOST MINI

Rated speed: 900 – 3,200 rpm
 Four frequency modes
 Max. output: 70 W
 Max. operating time: approx. 7 h
 Volume: approx. 50 dB
 Weight: approx. 512 g
 Protection class II
 Dimensions: approx. 142 x 90 x
 44 mm

BATTERY

Rated voltage: 12 V DC
 Type: Li-Ion
 Capacity: 2,500 mAh
 Max. Charging time: approx. 3
 h with
 plug, approx. 8 h via USB
 Type-C charging cable

Do not use the device for more than 10 minutes at a time!

Please read the operating instructions thoroughly and carefully as they contain important information about using the device.

Hold on to the instructions for future reference.

THE MODERN MASSAGE DEVICE

The PINOFIT® Physio Boost Mini is an innovative vibrating massage device for use in wellness massage. **Not a medical product** – Not approved for use as part of physical therapy or prescribed medical treatments.



IMPORTANT SAFETY INFORMATION:

The following basic safety information serves to prevent personal injury and material damage:

- Before connecting the device to the power supply, make sure that the supply voltage is compatible with the specified voltage on the type plate of the device.
- The device may only be used with the supplied, certified charger.
- The device is designed for use in dry indoor spaces only.
- Keep the device away from heat sources, liquids and children.
- The device may only be used by qualified professionals (e.g. physiotherapists, spa workers, masseuses), and is not intended for use by the end consumer.
- The instructions in this manual are not a substitute for medical advice.
- The PINOFIT® Physio Boost Mini is designed to support wellness massages.
It is not suitable for any other use.
- The device should be used over clothing on a clean, dry surface of the body by applying light pressure and moving it across the body for approx. 60 seconds per area.
- Only use the supplied attachments to achieve the desired effect.

The use of accessories that are not expressly recommended by the manufacturer may result in injury to the user and damage to the device. For this reason, only original accessories should be used.

- Pressure points may occur regardless of the control settings or the applied pressure. Inspect the treated areas regularly and discontinue use immediately at the first sign of pain or discomfort.
- To prevent injury by crushing, keep fingers, hair and other body parts away from the spindle and the back of the applicator.
- Do not touch the front part of the Physio Boost Mini while the device is running without the massage attachments installed.
- The Physio Boost Mini is not designed for continuous use. Do not use the device for longer than 30 minutes. After a 30-minute session with the Physio Boost Mini, wait at least five minutes before continuing use.
- Do not use the device on the head, neck, heart, or near the genitals or orifices.
- Improper use/handling of the device may cause harm to health. The user does so at their own risk.
- Make sure that the ventilation openings of the device are free from dust and dirt.
- Check the Physio Boost Mini and the massage attachments for any damage before each use (e.g. sharp edges).
- **Not a toy** – Keep out of reach of children: Children under the age of 18 must not use the Physio Boost Mini unsupervised.
- Keep the packaging materials away from children. They pose a risk of suffocation.
- If you have one or more of the following conditions, consult your doctor or therapist before using the Physio Boost Mini:

pregnancy, diabetes with complications such as neuropathy or retinitis, pacemaker, recent operations, epilepsy or migraines, slipped discs, spondylolisthesis or spondylosis, recent joint replacement or intrauterine device, metal pins or plates.

INSTRUCTIONS FOR USE

Remove all packaging materials before first use.

1. CHARGING THE DEVICE

- Charge the device before first use.
- Make sure that the Physio Boost Mini is switched off.
- Connect the charger. The LEDs of the status display will flash in an alternating pattern to indicate that the device is charging. When all four LEDs light up, the device is fully charged.
- Disconnect the charger from the device after charging or before use.

2. ATTACHING THE MASSAGE ATTACHMENTS

- Switch off the Physio Boost Mini and carefully insert the massage attachment into the opening provided until the underside of the massage attachment (marked with a red line in the diagram) is flush with the front part of the Physio Boost.
- Massage the desired body part at the desired speed, and apply the necessary amount of pressure.
- After switching off the device, the massage attachment can be manually pulled off and exchanged.

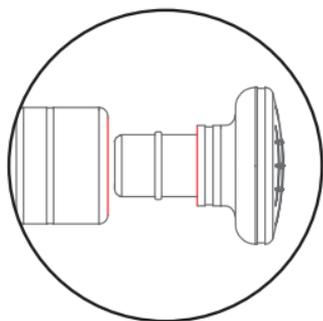


Figure 1: Installation

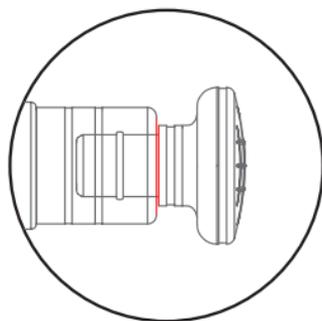


Figure 2: Result

3. ADJUSTING THE SPEED

- Press the multifunctional button and hold it for approx. two seconds until the display lights up continuously. The device is now ready for operation. Briefly press the multifunctional button to start the device at level 1. Press it twice to switch to level 2, three times for level 3 and four times for level 4. Press the multifunctional button again to switch back to level 1. To switch off the device, press the multifunctional button and hold it for approx. two seconds.
- The white LEDs indicate the currently selected level (1–4).
- Switch off the device every 10 minutes, and allow it to cool off for approx. five minutes to prevent overheating.
- Press the multifunctional button and hold it for approx. two seconds until the white LEDs go out to switch off the Physio Boost Mini.

NOTES

If you notice a white residue on the shaft of the massage attachments, this can easily be cleaned off with a damp cloth and a small amount of washing up liquid. This residue is not caused by a quality defect, but a technically necessary lubricant that is used in the device.

CLEANING AND CARING FOR THE DEVICE

- The device must be fully switched off before cleaning.
- Use a slightly damp cloth to clean the surface and a soft cloth to dry the device. Do not use chemical cleaning products.
- Use suitable, alcohol-free, water-based disinfectant to disinfect the device and accessories. Regularly wipe the device with a damp cloth to remove any disinfectant residue.

MAINTENANCE

- Do not open the battery of the Physio Boost Mini.
- If the device does not function correctly, do not try to repair it or correct the fault by disassembling the device yourself. Doing so will automatically void the warranty. Repairs may only be carried out by an approved electrical technician.

DISPOSAL

- In the event of disposal, PINO GmbH is able to dispose of the device for you. To do so, the device must be returned postage paid to PINO GmbH with a clear request for its disposal.
- In accordance with the German Electrical and Electronic Equipment Act (ElektroG) and EU Directive 2012/19/EU (WEEE Directive), the device may not be disposed of at public waste collection points.

DISCLAIMER

We cannot accept any liability for damage caused by improper or incorrect use of the device.



Like us on Facebook!

<https://www.facebook.com/pinoshop.de/>

Follow us on YouTube!

<https://www.youtube.com/pinofit>

0108H

Vertrieb | Distribution | Sales | Ventas |
Vendite | Venta | De vendas
PINO Pharmazeutische Präparate GmbH
Paul-Dessau-Str. 5 | 22761 Hamburg/Germany



08/2020